

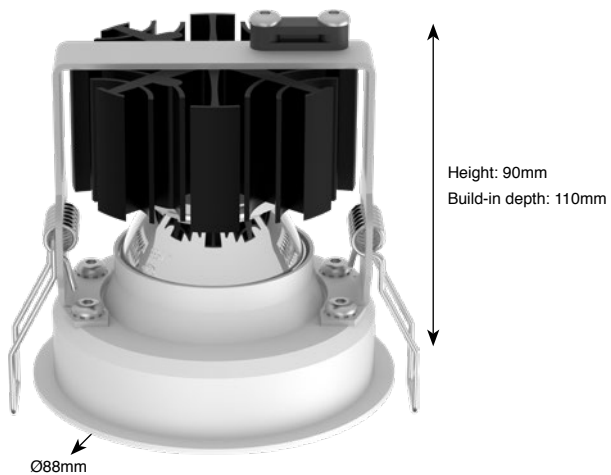
Focus Recessed

Type Downlight
 Mounting Recessed
 Material Aluminium
 Adjustable No
 El. class / IP Class III / IP20
 El. class driver Class II
 Warranty: see p.348

Citizen CLU LED (350mA)

CCT 2700K / 3000K / 4000K
 CRI Ra90
 SDCM 3
 Luminous flux LED
 2700K - Ra90: 1517lm (134lm/W)
 3000K - Ra90: 1577lm (139lm/W)
 4000K - Ra90: 1601lm (142lm/W)
 Luminous Flux System
 2700K - Ra90: 1289lm (100lm/W)
 3000K - Ra90: 1340lm (109lm/W)
 4000K - Ra90: 1361lm (111lm/W)
 Beam angle 27° / 43°
 LED Power 11.3W / 350mA (excl. driver)
 System Power 12.9W / 350mA (incl. driver)
 Forward voltage 29.3V (min.) - 32.3V (typ.) - 35.1V (max.)

 Ø83mm



Weight: 270g
(excl. driver)



Driver:
 - Included in article number and included in price
 - External/Remote installation

Data sheets and wiring guide: see website
 Driver information: see p.334-335

Air circulation notice:
 Do not toplod with insulation materials



Focus Recessed

PRICES INCL. DRIVERS

Non dim - Driver 490.24.16 incl.
 2700K - Ra90 - 12.9W - 1289lm 1416.AA.24.927.XX
 3000K - Ra90 - 12.9W - 1340lm 1416.AA.24.930.XX
 4000K - Ra90 - 12.9W - 1361lm 1416.AA.24.940.XX

1-10V dim & Push dim - Driver 490.25.20 incl.
 2700K - Ra90 - 12.9W - 1289lm 1416.AA.25.927.XX
 3000K - Ra90 - 12.9W - 1340lm 1416.AA.25.930.XX
 4000K - Ra90 - 12.9W - 1361lm 1416.AA.25.940.XX

DALI dim - Driver 490.26.20 incl.
 2700K - Ra90 - 12.9W - 1289lm 1416.AA.26.927.XX
 3000K - Ra90 - 12.9W - 1340lm 1416.AA.26.930.XX
 4000K - Ra90 - 12.9W - 1361lm 1416.AA.26.940.XX

Mains dim - Driver 493.27.20 incl.
 2700K - Ra90 - 12.9W - 1289lm 1416.AA.27.927.XX
 3000K - Ra90 - 12.9W - 1340lm 1416.AA.27.930.XX
 4000K - Ra90 - 12.9W - 1361lm 1416.AA.27.940.XX

27° Reflector: 0000.27.00.000.00
 43° Reflector: 0000.43.00.000.00

Available colors: 0000.00.00.000.XX
 Other RAL colors on request

01



White Matt Text.
Standard

18



Grey Matt Text.
Standard

03



Black Matt Text.
Standard

25



Smoked brown Text.
Standard

16



Gold Matt
Standard